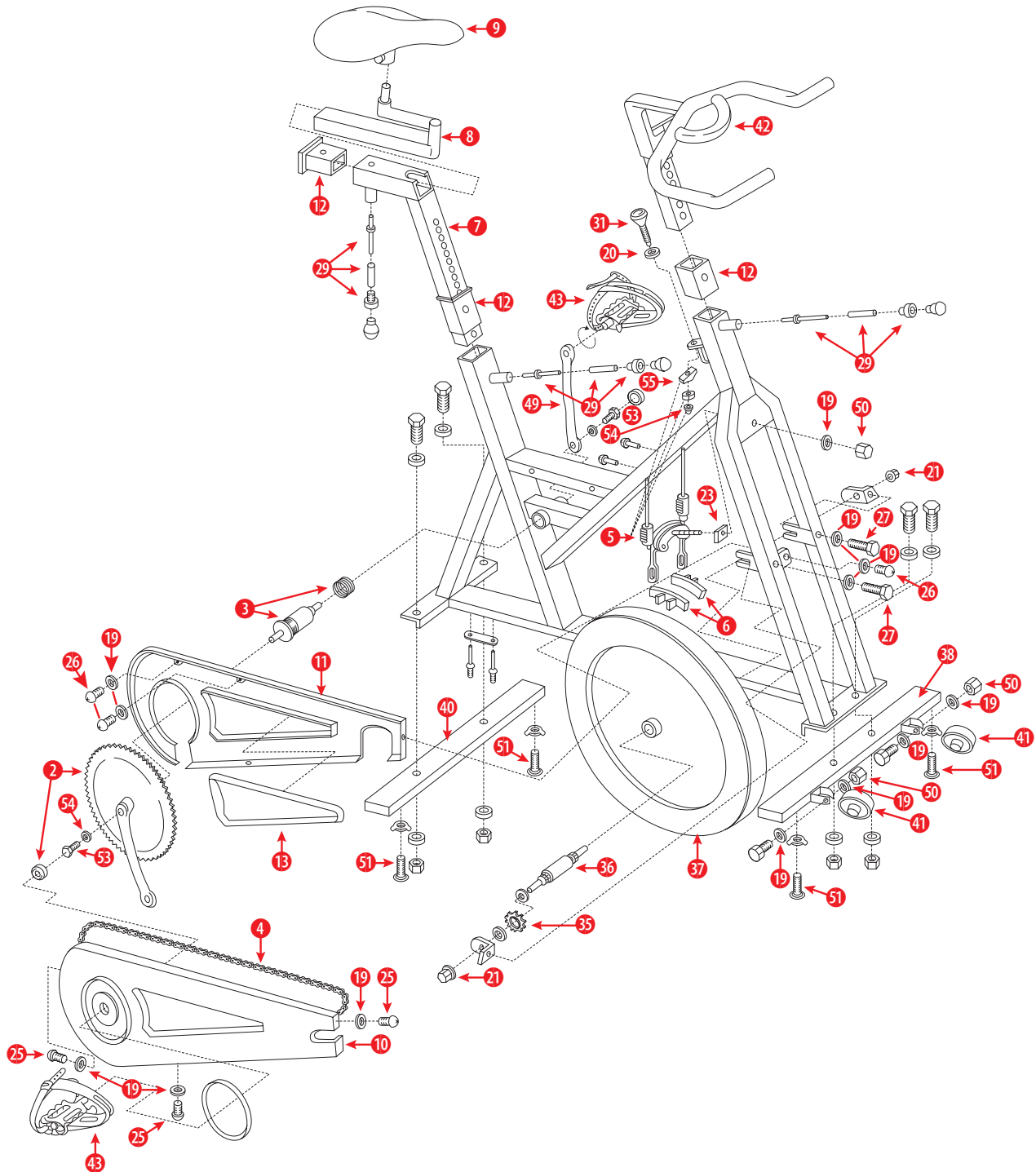


NGS Schematics



Schwinn Spinner Main Frame Assembly



NGS Schematics



Schwinn Spinner Main Frame Assembly (continued)

Spinner Parts

2	SP95119	Crank Arm, w/sprocket, right
3	SP56867	Bottom Bracket Assembly, high strength
4	SP95120	Turbo Chain, pro only
4	SP98412	Turbo Chain, SE, Elite
5	SP95422	Brake Assembly
6	SP92874	Brake Pad Set, w/screws
7	SP95121	Seat Post
8	SP91723	Seat Post Glider
9	SP95122	Seat, OEM
10	SP92871	Chain Guard, outer
11	SP95415	Chain Guard, inner
12	SP95117	Sleeve, seat post, handlebar
13	SP91719	Rubber Ring, for outer chain guard
19	SP95431	Washer Chain Guard
20	SP95430	Stainless Washer, for adjustable knob
21	SP94149	Axle Nut
23	SP98007	Bracket Plate, brake assembly
25	SP95432	Screw, large, for chain guard
26	SP95427	Screw, for chain guard (<i>inner</i>)
27	SP95433	Bolt, flywheel mount
29	SP92872	T-handle Pop-Pin Assembly
31	SP95452	Tension Knob
35	SP91711	Sprocket, for flywheel
36	SP95125	Flywheel Hub Assembly, pro only
36	SP98414	Hub Assembly, SE, Elite
37	SP95416	Flywheel Assembly, pro only
38	SP95418	Stabilizer Bar, front, black
40	SP95417	Stabilizer Bar, rear, black
41	SP95449	Transport Wheel
42	SP95128	Handlebar
43	SP95129.1	Pedals w/toe clips & straps (<i>pair</i>)
43	SP57880	Pedals Straps (<i>pair</i>)
49	SP95448	Crank, left
50	SP95456	Nut, for brake, nyloc
51	SC90595	Foot Swivel Glide
53	SP91750	Crank Bolt, w/flange
54	SP98022	Square Nut
55	SP98009	Rod Carrier, for brake